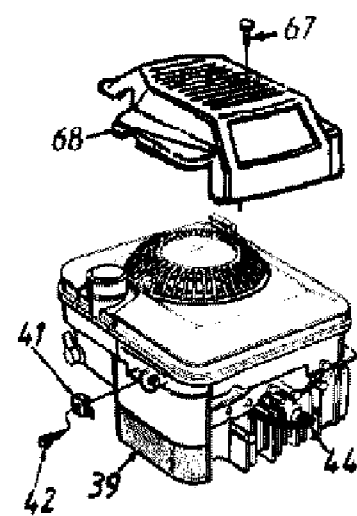
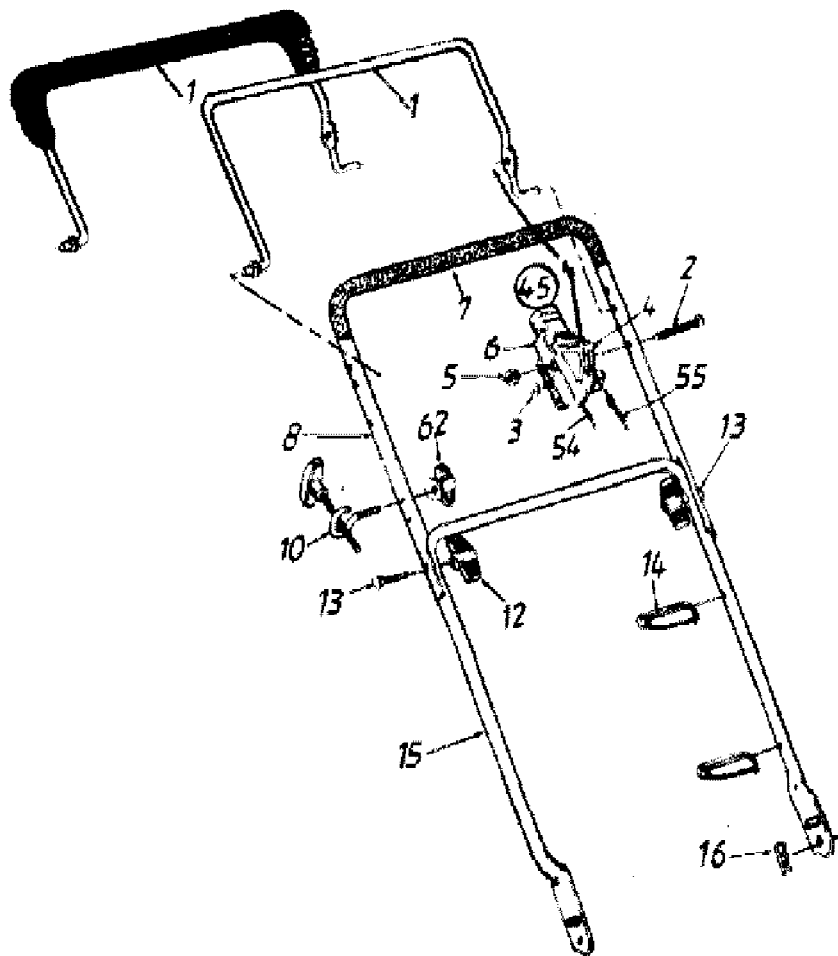


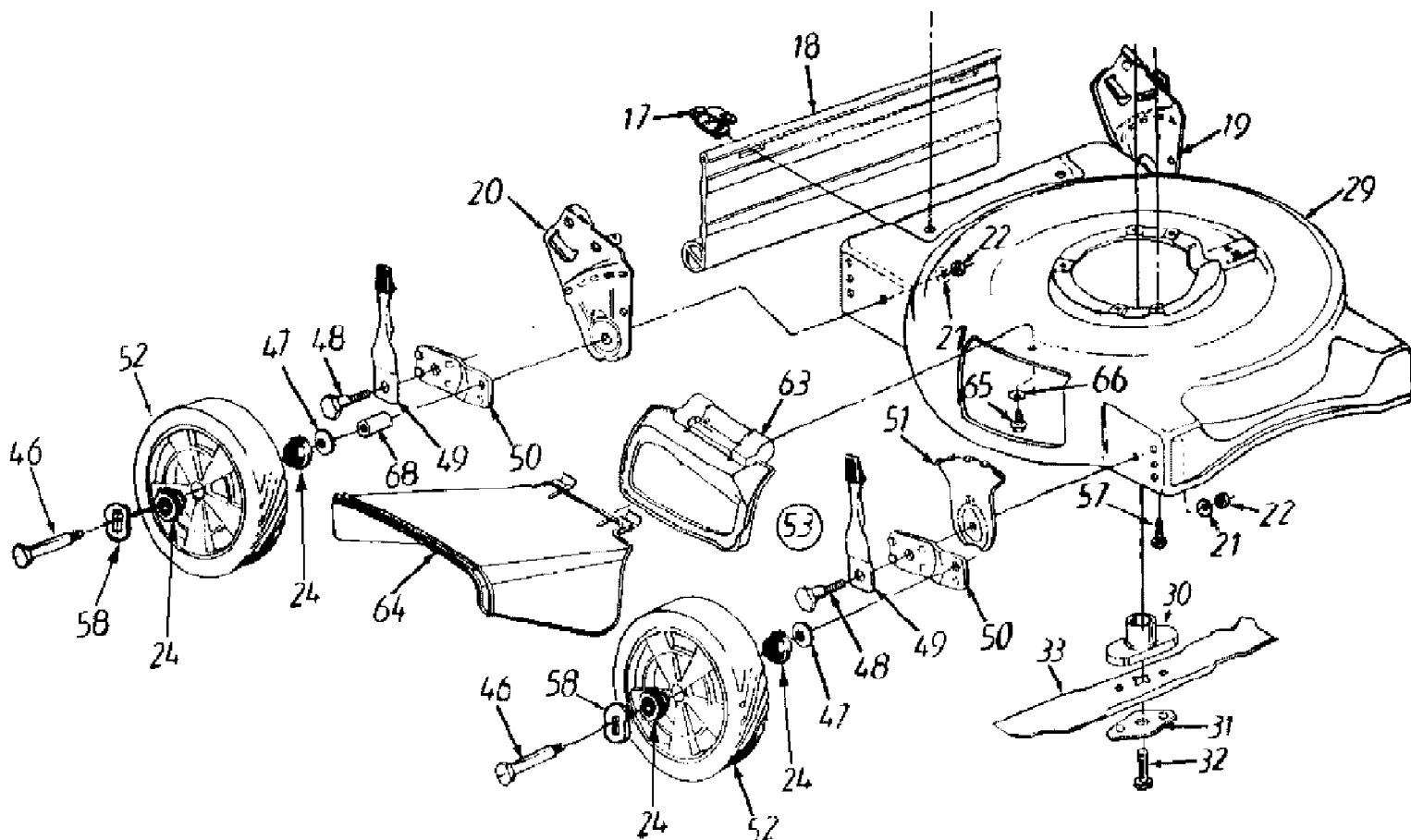
11A-702A190 LC-40 (1998)
Control Handle And Engine Assembly



11A-702A190 LC-40 (1998)
Control Handle And Engine Assembly

Page 2 of 4

Ref #	Part Number	Qty	S/P/F	Description
1	647-0004	1		Control Handle Ass'y. For model 106F only
	747-0824	1	S	Control Handle Ass'y. For model 702A only
2	710-0605	1	/P	Oval C-Sunk Screw
3	736-0501	1	S	Spring Washer
4	746-0876	1	S	Throttle Lever
5	712-0324	1	/P	Hex Lock Nut
6	646-0875	1	S	Throttle Body
7	720-0226	1	S	Foam Grip
8	749-0538C-0637	1	S	Upper Handle
10	710-1205	1	/P	Rope Guide
12	720-0276	1	S	Hand Knob
13	710-1174	1	/P	Carriage Bolt
14	726-0240	1	S	Cable Tie
15	749-0928-0637	1	S	Lower Handle
16	714-0104	1	S	Hairpin Clip
39		1		Engine
41	751B213146	1	/P	Cable Clamp
42	710-1237	1		Hex TT Screw #10-32 x .62"
44	735-0639	1	/P	Spark Plug Boot
45	811-00185	1	S	Throttle Box Comp. (Includes references 2, 3, 4, 5, and 6.)
54	746-0842	1	S	Throttle Cable
55	746-0553	1	S	Control Cable
62	720-0279	1	/P	Handle Knob
67	710-1256	1	/P	Hi-Lo Screw
68	751B281451	1	/P	Engine Shroud For model 106F only
	777-0148	1	S	Throttle Instruction Label
	777-0870	1		Danger Label (Behind Deck Opening)
	777-3047	1	S	Danger Label (Cut Hand) For model 702A only
	777-1299	1	S	Warning Label (Chute Cover)
	777-9341	1	S	Warning Label For model 702A only
	777-3801A	1	S	Safety Label (Deck) For model 106F only
	777-1557	1		Danger Label (Deck) For model 702A only
	777-4719	1		Decorative Label (Shroud) For model 106F only
	777-4852	1		Decor. Label (Hubcap) For model 702A only



11A-702A190 LC-40 (1998)
Deck Assembly

Page 4 of 4

Ref #	Part Number	Qty	S/P/F	Description
17	17098	1	S	Hinge Clip
18	731-0872A	1	S	Rear Flap For model LC 106 only
	731-1028	1	/P	Rear Flap For model LC 40 only
19	682-3025	1	S	Handle Bracket Ass'y LH For model LC 106 only
	682-3001A	1	S	Handle Bracket Ass'y. LH For model LC 40 only
20	682-3024	1	S	Handle Bracket Ass'y RH For model LC 106 only
	682-3000A	1	S	Handle Bracket Ass'y RH For model LC 40 only
21	736-0356	1	S	Bell Washer .39" ID x 1.38"
22	712-0798	1	/P	Hex Nut 3/8-16 Thd.
?23	731-0981A	1	S	Hub Cap: Radial Grey
24	741-0484	1	S	Bearing
29	682-0025A-0662	1	S	Deck Assembly For model LC 106 only. Code: N Notates a new part (not previously existing)
	682-0018-0662	1		Deck Assembly For model LC 40 only
30	753-0588	1	S	Blade Adapter Kit
31	736-0524A	1	S	Blade Bell Support
32	710-1044	1	/P	Hex Bolt 7/16-20 x 1.5"
33	742-0740	1	S	20" Mulch Blade
	742-0738	1	S	18" Mulch Blade
46	738-0102	1	S	Axle Bolt
47	736-0105	1	/P	Bell Washer .400" ID x .88"
48	738-0507B	1	S	Shoulder Bolt
49	14832	1	S	Spring Lever Ass'y w/Knob
50	15262B	1	/P	Pivot Bar
51	15261A	1	S	Height Adj. Plate
52	734-1819	1	S	Wheel Assembly
53	14578	1	/P	Height Adj. Ass'y. Comp. R.F. & L.R.
	14579	1		Height Adj. Ass'y. Comp. L.F. & R.R.
57	710-0654A	1	/P	Hex Lock Washerhead Screw 3/8-16 x 1.0" Lg.
58	736-0504	1	S	Wave Washer
63	682-7002	1	/P	Mulching Plug
64	731-1409	1	S	Chute Deflector
65	736-0270	1	/P	Bell Washer
66	710-0599	1	/P	Hex Washerhead TT Screw 1/4-20 x .5" Lg.
?67	738-0213	1	/P	Shoulder Screw (Rear Wheel) For model LC 40 only
68	750-0535	1	S	Spacer For model LC 40 only
?69	731-1950	1		Cover: Front End For model LC 106 only. Code: N Notates a new part (not previously existing)